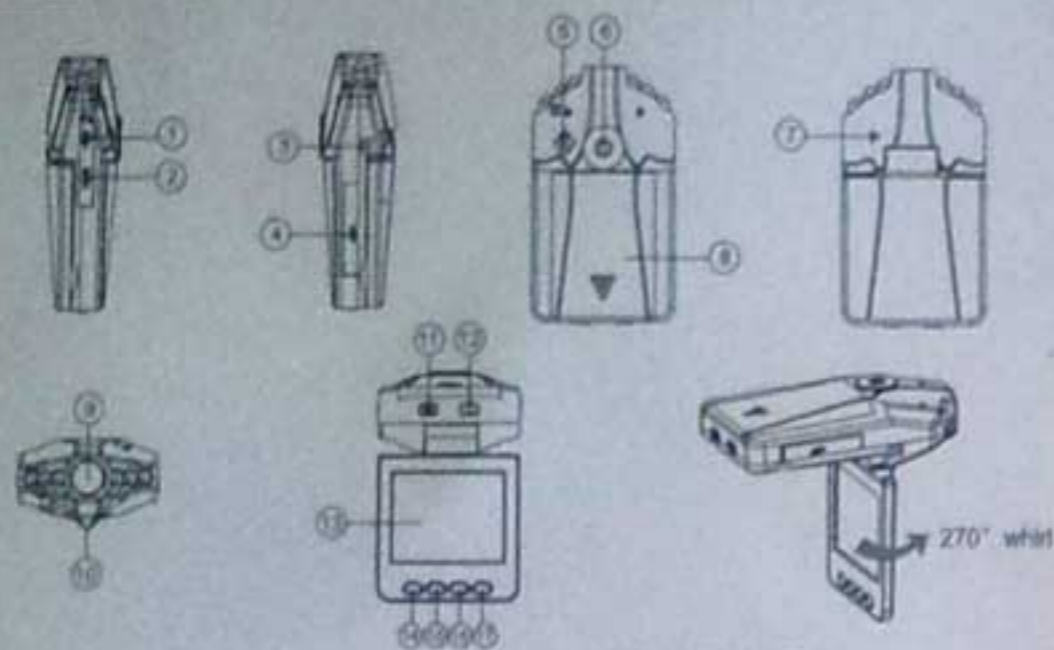


Product Picture and Function



1. USB Slot
2. HDMI Slot
3. 5.5V Direct Current Slot
4. SD/MMC Card Slot
5. Speaker
6. Mount hole
7. Microphone
8. Battery cover
9. Lens
10. IR LED
11. ON/OFF Power Switch
Charging(Red) indicator
12. REC/SNAP
Working(Blue)indicator
13. 2.5 inch LCD
14. Menu
15. Down
16. Up
17. Mode Button(Video/Photo/Preview)

Attached Accessories

- Manual
- Mount
- USB Cable
- Li-ion battery
- Car Charger (Include the adaptor 24V/12V transfers to 5.5V)

Operate

Two Power options:

A) Use Li-ion battery

DVR can be activated after it has been placed on the vehicle by pressing the **Power Switch** (11) and turn off by pressing it again.

Charging: connect with USB cable or car charger. The indicator display red and convert to no light when it is full

B) Connect with Car Charger

DVR will record automatically when the car starts, turn off and save the last file when the car stops.

Note: only use the output power for 5.5V.

Recording

DVR will enter into defaulted recording mode when turn it on, the work indicator blinks and indicates it is recording. The recording file is saved in the SD/MMC card. To stop, press **Rec Button** (12) or ending when car stops, the work indicator won't blink.

Camera mode

Turn on the DVR and press **Mode Button** (17) to enter into Camera mode. To take photo by pressing **Snap Button** (12).

Press **Menu Button** (14) to enter into image resolution setting, and then press the **Rec Button** (12) to enter into submenu, to select the corresponding pixels by **Up Button** (16) or **Down Button** (15), you could press the confirm button to confirm it, and then press **Menu Button** to exit. Image resolution: 1280*960/1600*1200/2592*1944/4032*3024

Preview mode


Turn on the DVR and press **Mode Button** (17) twice to enter into preview mode, press **Up** (16) or **Down** (15) to select the previewed file folder and enter into the index by pressing **Rec Button**. If it is video file, it can play or stop by pressing **Rec Button**. (e.g.: Index is named Y/M/D and file is named D H/M/S, if want to preview the file 2012/01/01 10:28:08, enter into index 2012-01-01 and select D 102808 to play).

Delete mode

If you want to delete it, press **Menu Button** (14) to enter into delete mode, and then, select current or all by **Rec Button** (12) or **UP/Down** and confirm to delete the file by pressing **Rec Button**. If want to format, please select and confirm Format Memory by **Rec Button**.

Setting the functions:

Turn on the DVR and press **Menu Button** to enter into setting interface. Confirm by **Rec Button** and select by **Up/Down** for the following setting. Press **Menu Button** again to exit after finished.

1. **Recording resolution:** Select [1440X1080/1280x720 / 848x480 / 640x480pixels]
2. **Audio Recording:** Select On or Off (If choose OFF there will be no audio when recording).
3. **Volume:** From 0 to 7
4. **Motion Detect:** Select On (the screen will occur icon ) or Off
Note: When select on Motion detect function, it will be recording automatically if there is an object movement, the recording time is according to the setting time, e.g. setting 2 minutes recording time, its recording lasts 2 minutes if there is an object movement, stop recording if no movement after 2 minutes and continue recording if still have movement.
5. **FPS:** Select 15FPS/20FPS/30FPS
6. **Recording time:** [2/5/10] minute / off
7. **Time Stamp:** ON/OFF. If choose "OFF", the recording file will not display the date and time.
8. **IR LED:** Auto or Off
9. **Date/Time:** Set correct recording date and time. Please press **Rec Button** (12) to enter into date and time setting, and press **Up Button** (16) or **Down Button** (15) to adjust it, then press **Rec Button** to enter into next setting. also you can press **Rec Button** again to exit after all settings finished.
10. **Language:** Select [English/Chinese Simplified/Chinese Traditional/Portuguese/Japanese/Russian]

11. **Light Frequency:** set [50/60Hz].

12. **Restore Default:** Select [Yes] or [No]. When choose "YES" ,it will restore to factory-default setting

13. **Version:** Show the software version Number.

USB Mode

Connect DVR with computer by USB cable, [My computer] will occur removable disk, the file is stored at the DVR index, the file is placed relevant Y/M/D index according recording time, the file is named by D H/M/S. At the moment, the file of the DVR can be downloaded to the computer.

Preview on the HD TV

Connect the HDMI link of DVR with the HD TV, then turn on the DVR. And enter into the preview mode automatically, and the operating steps are same as preview on the screen.

Note:

- 1) Please insert SD/MMC card before recording and format at the DVR.
- 2) Please adjust the time display before recording. If not set a time, the DVR can not record.
- 3) This DVR records in cycle if you choose 2/5/10 minutes as storage time. When the storage medium is full, it will record from the beginning again and erase over the previously recorded material automatically. It will have 3 seconds pause time, and namely the contents in the 3 seconds will not recorded. If select Off, when the storage medium is full, it shows Card Full and stop recording.
- 4) Because the DVR is DC5.5V input, please use the attached car charger. It have adaptor 12V/24V transfers to 5.5V already.
- 5) When you can not stop recording by pressing REC button, please check if you have selected the **Montion Detect** is **ON**. If yes, please select **OFF**.

Technical Specifications

- 1) IR day and night vision for recording
- 2) Recording resolution: 1440X1080/1280X720/848X480/ 640X480 pixels
- 3) Image resolution: 1280X960/1600X1200/2592X1944/4032X3024
- 4) Cycle recording
- 5) Video format: H.264/AVI
- 6) Repeat storage by section: 2/5/15 minutes or off
- 7) Power source: Built-in rechargeable battery or 12V/24V Car Charger
- 8) Supports SD/MMC card(From 1GB up to 32GB)-Suggest using Class 4 or above
- 9) Microphone: can record sound
- 10) Interface: HDMI & USB2.0
- 11) 2.5 inch LCD: 270° Whirl
- 12) Uninterrupted Cycle Recording, No Leakage Seconds Appears

No further notice will be given for any modification of the technical specification.